






550

TOUCH CONTROL PANEL

Code	Model	Dimensions LxWxH cm			
P09FN09024	550 6C	↔ 118	↗ 172,5	↕ 182,5	
	Control	Chamber height cm	Cooking surface cm		
	Digital	20	75x105		
	Pizza Capacity	Max Temperature	Weight Kg		
	6 x Ø 30/34	 515 °C	 565		
	Total Power KW	Voltage V	Phases Ph	Frequency Hz	
	16,4	400	3N+T	50	



550

Code

P09FN09024

Model

550 6C

General Features

5" Touchscreen for perfect control of all oven functions.

Hood with automatic activation suction with LED, controllable from the touch screen.

Cool-touch closure system that heats without losing heat.

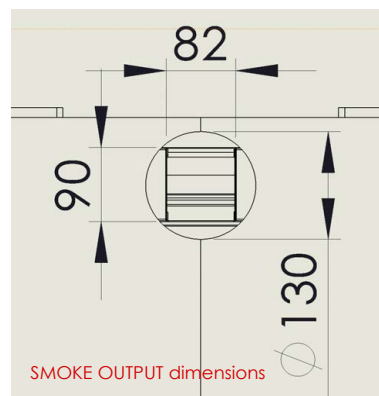
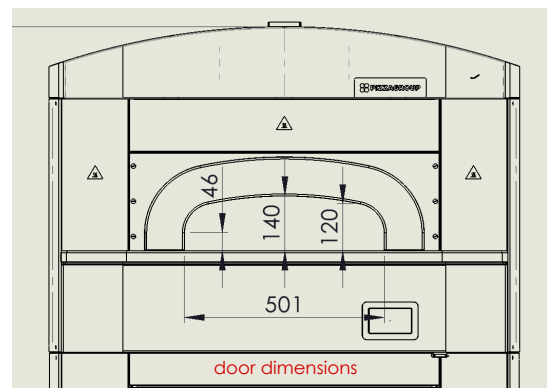
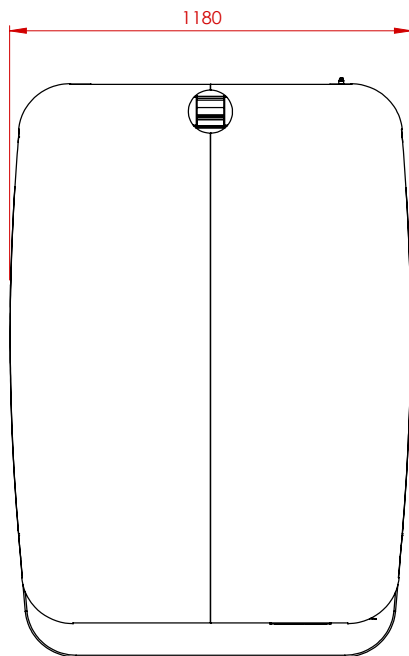
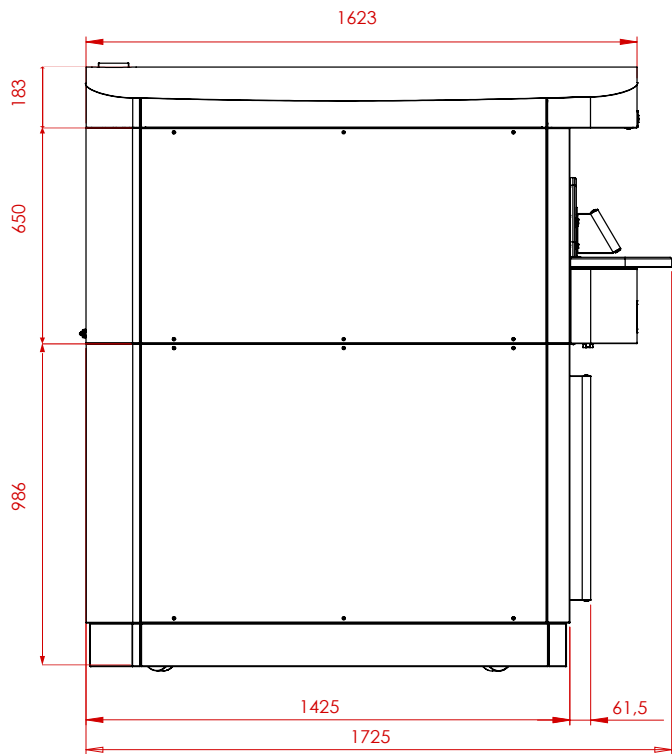
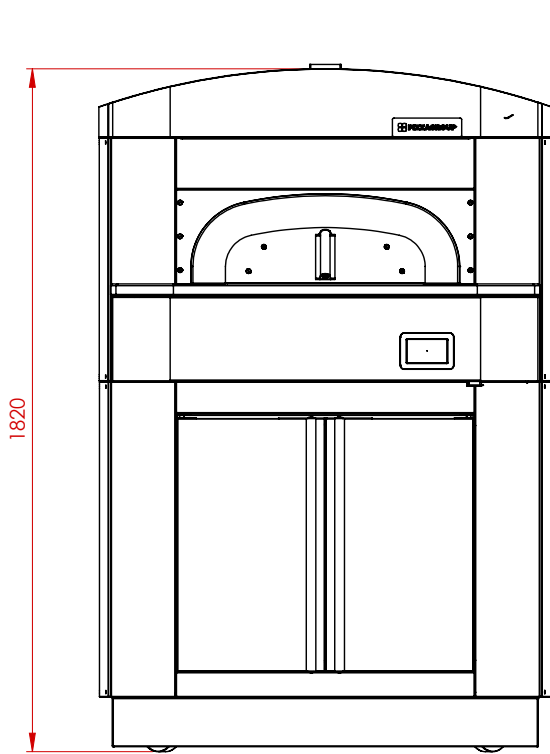
Built-in proofing chamber, temperature-controlled, reaching up to 60°C.



550

Code
P09FN09024

Model
550 6C



CONNECTABLE WITH:
130 diameter pipe (not supplied)
Rectangular flange 82x90 (not supplied)

